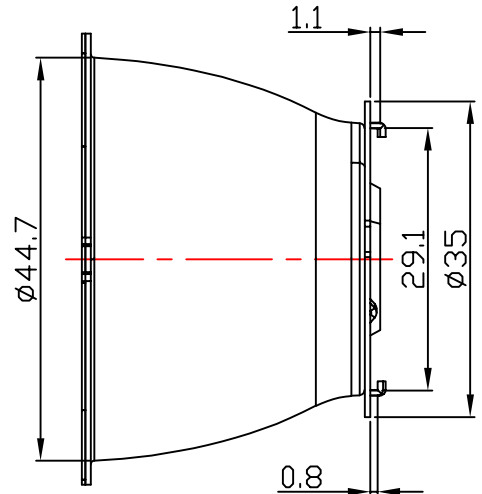
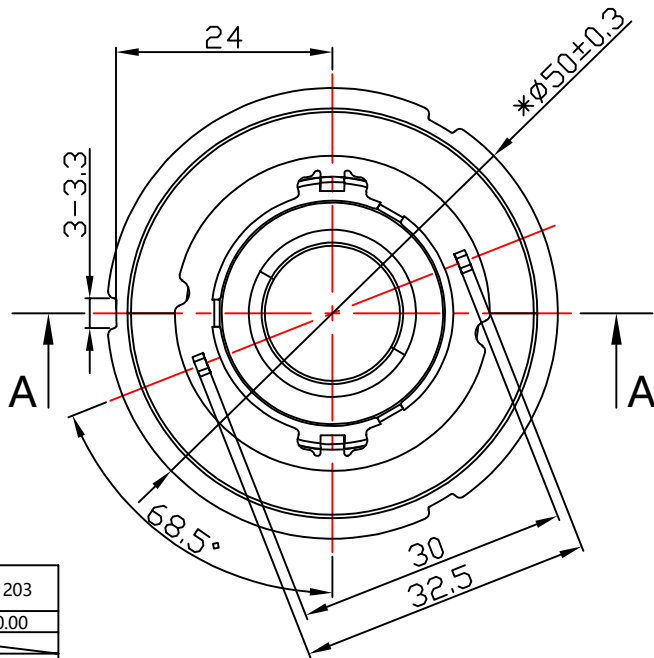
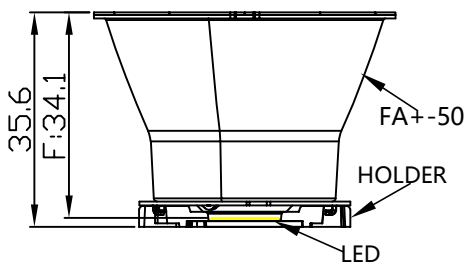


A - A



Light Source	LUMILEDS 1203
PlasticHolder	92.70.410.00
Metal Adaptor	
Design Angle	$50^\circ \pm 5^\circ$
Measured Angle	50.6°
Efficiency	

光学装配示意图



Technical requirements:

- 1.**KEY CONTROL DIMENSION.
- 2.Tolerances not noted are in accordance with the tolerance table.
- 3.unmarked rounded corners Press for 3D.
- 4.Surface without imprint, black spots, cracks, wrinkles and other poor.

PRODUCT BOM				
NO.	PRODUCT NAME	P/N:	QUANTITY	MATERIAL/FINISH
①	1-1203-M卡扣	97.77.130.00	1	T=0.6mm SUS301
②	1-1305-A	94.01.1305.000	1	T=0.6mm 1070AL/Andoizing
③	1-1306-A	94.01.1306.000	1	T=0.4mm High reflectivity aluminum(Mirror surface)

标记	处数	更改内容	签名	更改日期
MARK	NO.OF MODIF	MODIFICATIONS	SIGNED BY	MODIF. DATE
设计		制图	比例	1:1
工艺		审核	视角	
批准		日期	17-10-2022	
APPROVED BY		DATE(DD-MM-YYYY)	17-10-2022	
		页数	SHEET 1 OF 1	
		PAGE	SHEET 1 OF 1	

DIMENSION TOLERANCE TABLE (UNLESS OTHERWISE STATED)						
> 0-5	> 5-30	> 30-90	> 90-150	> 150-250	> 250-400	> 400-700
±0.15	±0.2	±0.4	±0.5	±0.8	±1.5	±2
PUNCH TOLERANCE TABLE (UNLESS OTHERWISE STATED) (ANGLE)						
> 0-10	> 10-50	> 50-120	> 120-250	> 250-360		
±1°	±0.5°	±0.3°	±0.2°	±0.166°		

		版本	K
		VERSIONS	
产品编码	91.01.1384.000	客户代号	NT
PRODUCT CODE		CUSTOMER ID	
产品名称	1-1384-L	客户编号	FA+-50-50D
PRODUCT NAME		CUSTOMER CODE	

产品图
PRODUCT DRAWING

单位
UNIT
mm